

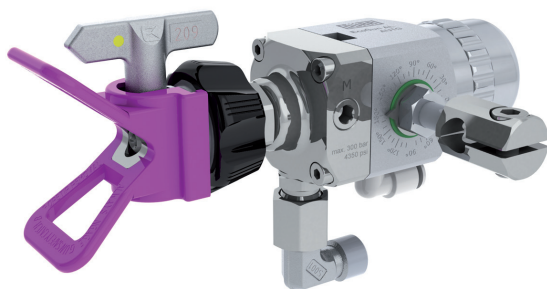
EcoGun AL AUTO

Automatic Airless Spray Gun

Description

With an operating pressure of up to 300bar, the **EcoGun** AL AUTO is an outstanding solution for airless paint applications and is equally suitable for solvent and water-based coating materials, mainly used in automated machining, construction and wood working sectors. Beneficial highlights are a material path manufactured completely of stainless steel, sealings in

contact with applied materials of modified plastics, such as PTFE, PE-UHMW, POM, and the availability of a closing valve (valve ball and seat) in tungsten carbide version. The **EcoGun** AL AUTO offers a wide range of high-pressure spray nozzles. During the development of this spray gun the aim was to keep it easy to clean and maintain at all times.



Customer Benefits

- » Parts contacted by media in stainless steel
- » Wide range of turnable spray nozzles
- » Optional extensions
- » Max. fluid pressure 300bar
- » Two material inlets (circulation possible)
- » Easy cleaning and maintenance
- » ATEX Ex II 2G T6 X



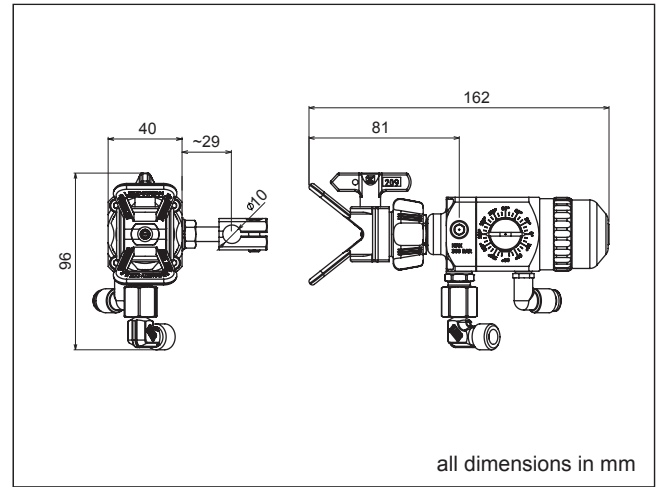
EcoGun AL AUTO

N36250001V

Specification

Weight	609 g
Material Gun Body	SST, Al nickel-plated
Parts contacted by media	Stainless steel
Connector Fluid	M14x1,5
Connector Air, control	Push-in 6mm
Connector Nozzle Holder	11/16-16 UN (7/8" - 14 UNF-2A)
Switching Frequency max.	180/min (3 Hz)
Recom. Pilot Air Pressure	5,0 bar (73 psi)
Pilot Air Pressure	3,3-6,0 bar (47,8 - 87,0 psi)
Fluid Pressure max.	300,0 bar (4.350,0 psi)
Operating temperature min.	5 °C (41 °F)
Operating temperature max.	40 °C (104 °F)
ATEX Marking	Ex II 2G T6 X

Dimensions



Nozzle Selection

Spray Angle	Size [mm; inch]	Flow rate [l/min; gal/m]
10° / 20° / 30°	0,23/0,009	0,26/0,069
20° / 30° / 40°	0,28/0,011	0,40/0,106
30° / 40°	0,33/0,013	0,60/0,159
30° / 40° / 50°	0,38/0,015	0,80/0,212
40° / 50°	0,43/0,017	1,00/0,265

List shows only a choice of most common nozzles. Please check webshop for further versions.

Accessories

Part No.	Description
M19140001	Extension 150mm
M19140002	Extension 300mm
M19140003	Extension 450mm
M19140004	Extension 600mm
M19140005	Extension 900mm
N36960019	Maintenance kit EcoGun
M22150012	Swivel joint

Further Information

Final weight depending on configuration.
 Flow rate based on water at 100bar.
 Nozzle holder to be ordered separately.

If you require further information please do not hesitate to contact our Sales Team at +49 7142 78-0 or Industrial.Products@durr.com.