

EcoGun AA AUTO

Automatic Spray Gun Air Assist

Description

The **EcoGun AA AUTO** is a compact and light automatic spray gun for air-assisted application. It is characterized by a material path made of stainless steel and the separate air regulation for round and flat

spray patterns, whilst the seal packing is externally adjustable. It is mainly used for paint application in the machining and wood working industry. The **EcoGun AA AUTO** offers with a wide range of spray nozzles.



Customer Benefits

- » Air-mix and airless work mode possible
- » Compact and space saving construction
- » Less air consumption
- » Material pressure up to 250bar (3000psi)
- » Material path completely made of stainless steel
- » Needle seal accessible from the outside
- » Separate round/flat spray regulation
- » Wide range of nozzles available
- » Material circulation or one line operation mode possible
- » High pressure material filters available
- » ATEX Ex II 2G IIA T6 X



EcoGun AA AUTO

N36230001V

Specification

Weight	670 g
Material Gun Body	SST, Al nickel-plated
Parts contacted by media	Stainless steel
Connector Fluid	G 1/4"
Connector Air	Push-in 6mm
Connector Air, control	Push-in 8mm
Switching Frequency max.	100/min (1,67 Hz)
Recom. Air Pressure	2,0 bar (29,0 psi)
Air Consump. @recom. Air Press min.	107 NI/min (3,8 sft ³ /m)
Air Consump. @recom. Air Press max.	167 NI/min (5,9 sft ³ /m)
Pilot Air Pressure max.	3,5-6,0 bar
Pilot Air Pressure max. US	50,7- 87,0 psi
Atomizing Air Press. max.	6,0 bar (87,0 psi)
Fluid Pressure max.	250,0 bar (3.625,0 psi)
Operating temperature max	60 °C (140 °F)
ATEX Marking	Ex II 2G T6 X

Nozzle Selection

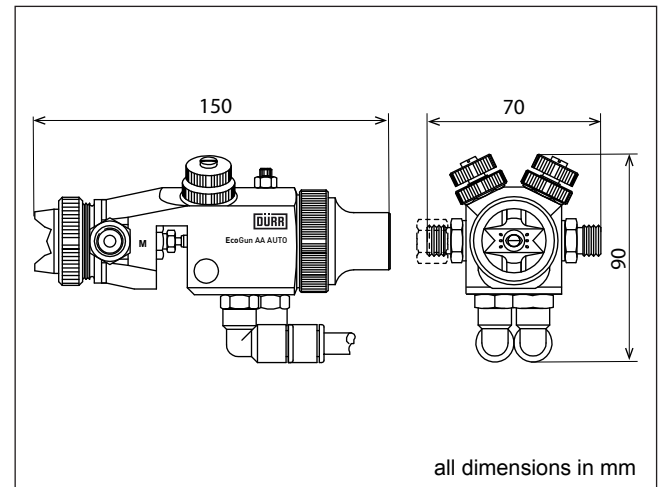
Spray Angle	Size [mm; inch]	Flow rate [l/min; gal/m]
10°/20°/30°/40°	0,18/0,007	0,22-0,25/0,058-0,066
10°/20°/30°/40°	0,23/0,009	0,26-0,32/0,069-0,085
30°/40°	0,28/0,011	0,40-0,46/0,106-0,122
10°-80°	0,33/0,013	0,49-0,54/0,129-0,142
20°-90°	0,38/0,015	0,77-0,82/0,203-0,217

Please check webshop for further nozzles.

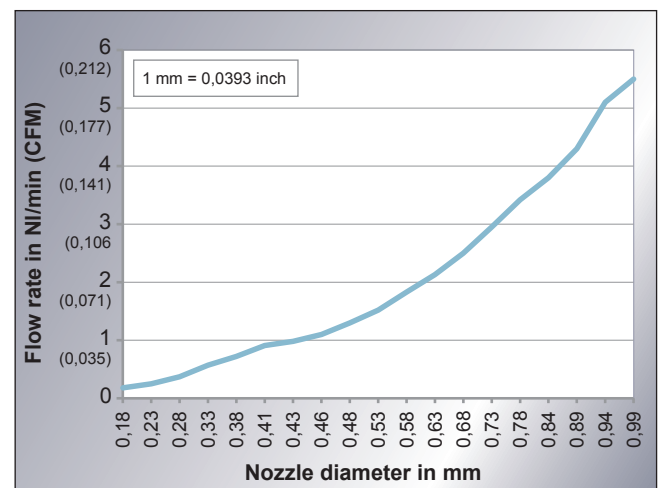
Accessories

Part No.	Description
N36960038	Cleaning kit EcoGun 22pcs
N36960099	Repair kit EcoGun AA AUTO
N36960100	Tool kit EcoGun
N36960101	Sealing kit EcoGun AA AUTO
M34040020	Paint pipe with filter
N66030005	Bracket EcoGun
M3420000X	Tube stand with flange
M3420000X	Tube stand w/o flange
M24040035	Cross clamp
W40030933	Hose DN4 7,5m PA
W40030935	Hose 6x8 PU blue
W40030936	Hose 6x8 PU red

Dimensions



Characteristics



Further Information

Flow rate based on water at 100bar.

If you require further information please do not hesitate to contact our Sales Team at +49 7142 78-0 or Industrial.Products@durr.com.