

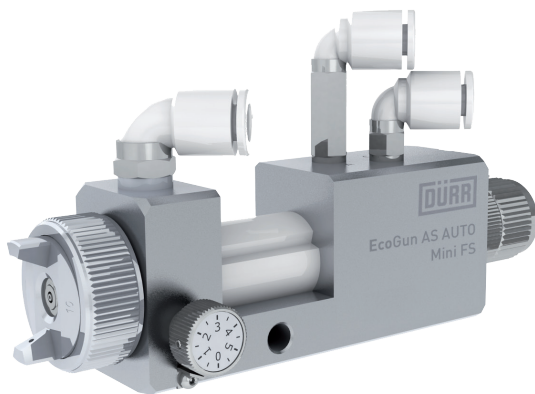
# EcoGun AS AUTO Mini FS

## Automatic Air Spray Gun

### Description

The **EcoGun AS AUTO Mini FS** is the answer to painting small areas, for dot marking and gluing. It is equipped with an internal air regulation and therefore only requires an „on-off“-impulse via a control valve. This enables easy integration into automated systems.

An optionally available adapter enables remote control of spray pattern. During the development of the **EcoGun AS AUTO Mini FS** the aim was to keep it easy to clean and maintain at all times.



### Customer Benefits

- » Small spray pattern width of up to 4mm
- » Round to flat spray pattern
- » Nozzle set in stainless steel
- » Aluminum nickel treated body for improved resistance
- » Manual or remote spray pattern width regulation
- » Easy cleaning and maintenance
- » ATEX Ex II 2G T6 X

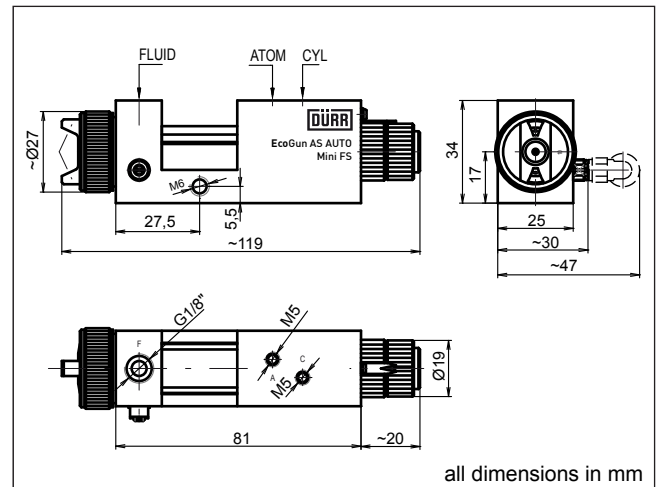


# EcoGun AS AUTO Mini FS N36210006V

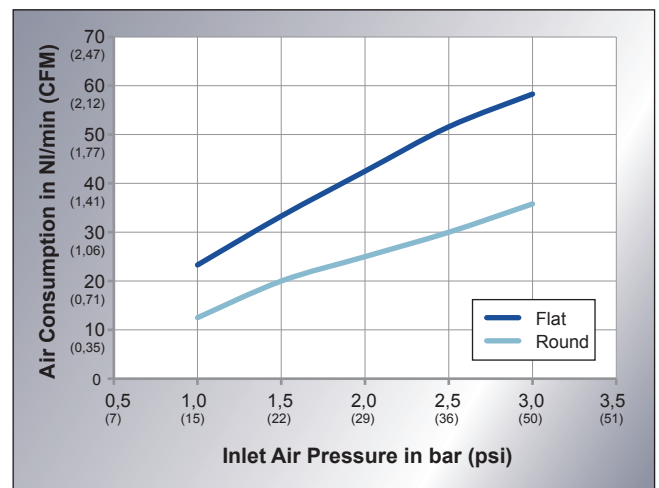
## Specification

Weight	248 g
Material Gun Body	Aluminium nickelplated
Parts contacted by media	SST, Al nickel.
Diameter Nozzles	0,6 / 0,8 / 1,0 mm
Connector Fluid	Push-in 6mm
Connector Air	Push-in 6mm
Connector Air, control	Push-in 6mm
Switching Frequency max.	120 per min.
Recom. Air Pressure	3,0 bar (44 psi)
Air Consump. @recom. Air Press	92 NI/min (3,2 sft <sup>3</sup> /m)
Pilot Air Pressure max.	5,0 bar (73 psi)
Atomizing Air Press. max.	3 bar (44 psi)
Fluid Pressure max.	1,5 bar (22 psi)
Operating temperature min	2 °C (36 °F)
Operating temperature max	55 °C (131 °F)
ATEX Marking	Ex II 2G T6 X

## Dimensions



## Characteristics



## Accessories

Part No.	Description
M01010196	Connector fan regulation external
N08140002	Pressure Pot 10 A
N08140001	Pressure Pot 10
N26010068	EcoFlow LPF M 9 2,5 G1/8" SST

## Further Information

Final weight depending on configuration.

If you require further information please do not hesitate to contact our Sales Team at +49 7142 78-0 or [Industrial.Products@durr.com](mailto:Industrial.Products@durr.com)